



Description

Zeta

Designer: James Irvine

Typology: Chair

Year: 2003

Description:

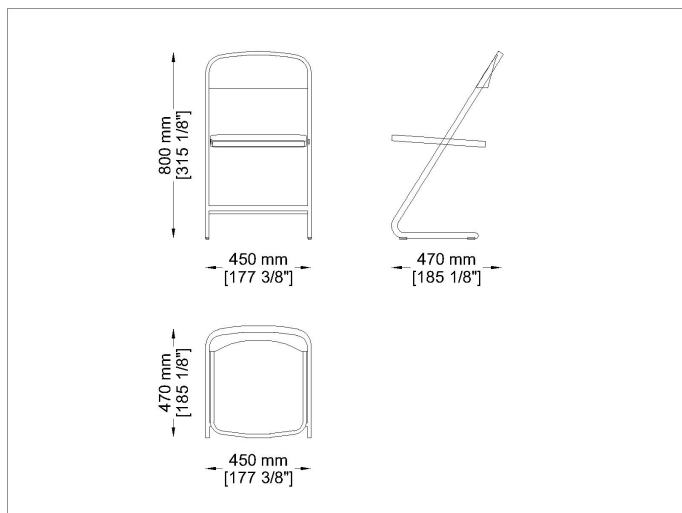
Togetherness is a pleasure that is found in the pleasure of others. The art of making a shared moment cherishable is nothing if not highly personal. One thing is sure: in the masterful combination of elements that create an informal ambiance, objects are paramount: they need to be appropriate, discreet and pleasant props that adapt to the context. This is why we wanted to make ZETA, a line that embodies an absolutely original idea for fold-and-stow furniture. Chairs and tables that are amazingly easy to set up and put away. You see, order and disorder are made up of the same elements just differently arranged.

Technical information:

Frame: Steel inox

Seat and back: Polystirene

Drawings



ZS

Materials

Metal structure

Satinized inox steel



Satinized/Satinato
steel satinized

Seat material

Seat in polistirene



L478
Orange-arancione



L1
Bianco-White

Images



Suggested Products



Zeta



TQ-
To b



Jubeae



Shot