



Description

Zeta

Designer: James Irvine

Typology: Table

Year: 2003

Description:

Together with a chair, Zeta is a pleasure that is found in the pleasure of others. The art of making a shared moment cherishable is nothing if not highly personal. One thing is sure: in the masterful combination of elements that create an informal ambience, objects are paramount: they need to be appropriate, discreet and pleasant props that adapt to the context. This is why we wanted to make ZETA, a line that embodies an absolutely original idea for fold-and-stow furniture. Chairs and tables that are amazingly easy to set up and put away. You see, order and disorder are made up of the same elements just differently arranged.

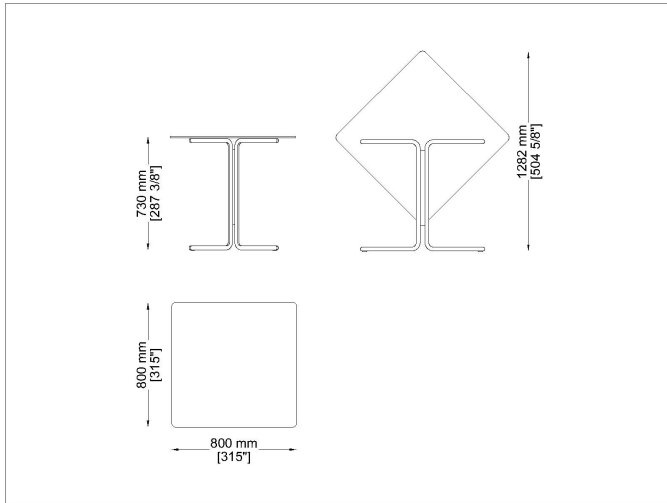
Technical information:

Frame: Steel inox

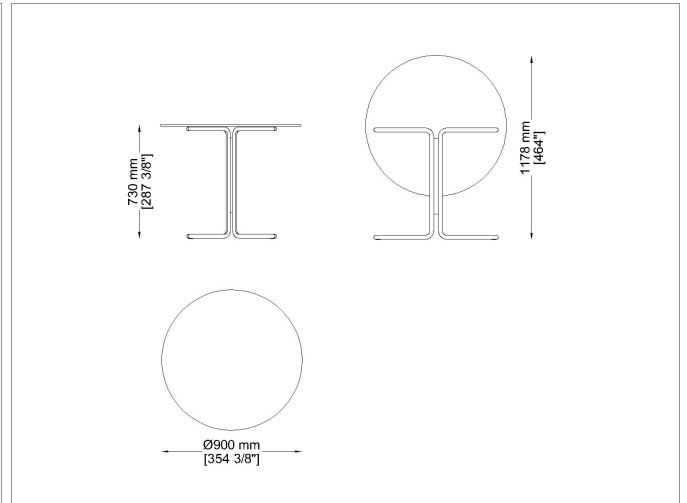
Top: High thickness laminate in different colors

Typology: Table

Drawings



ZQ

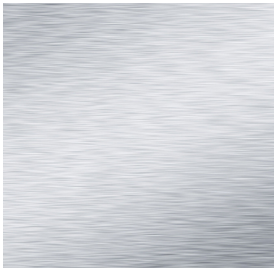


ZO

Materials

Metal structure

Satinized Steel



Satinized/Satinato
steel satinized

Table tops

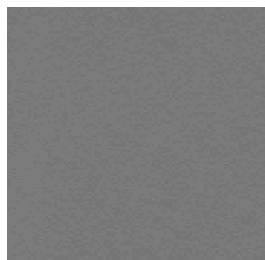
Laminate



L2810
Rock Taiga



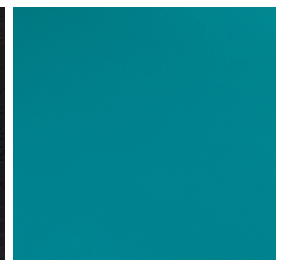
L1
Bianco-White



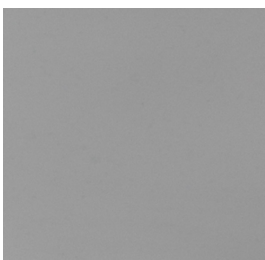
L3
Tortora-Taupe



L4
Nero-Black



L437
Azzuro light blue



L477
Grigio-Grey



L558
Rock Beige Boiaccia

Images



Suggested Products



SB



S



Nest



Zeta



Livis



Jubeae
ST



Jubeae
S



Jubeae
SB



Private:
Fellini