



## Description

SB

Designer: Stefano Gallizioli

Typology: Chair with arm

Year: 2003

Description:

From the beginning, attention in the choice of material, the evaluation of the best techniques such as 45 ° welding and a characteristic design have been the concern for the creation of our products. The collection includes chairs with and without armrests, armchair, sofa, rocking armchair, stools and hammock characterized by the satin stainless steel structure; seat and back in nylon reinforced PVC cord, acrylic cord that warm and color your exterior. The combination of these elements has led to the creation of the Sg1 collection and a strong impression for the choice in the creation of the following our collections.

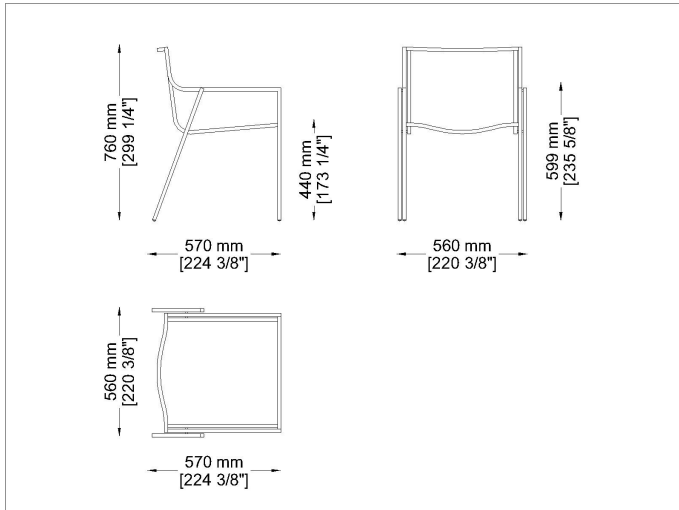
Technical information

Frame: Steel inox satinized

Interlacing: PVC cord with nylon core (woven codeA3)/Acrylic cord 3 (woven codeB3) or 6 mm with Teflon (woven codeB6)

Seat slats: Stiff polyurethane slats

### Drawings



SB01-SB02

Materials

Metal structure

Satinized inox steel



Satinized/Satinato  
steel satinized

PVC woven backrest and seat

PVC cord 3mm



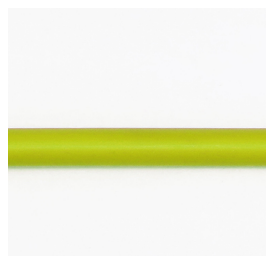
P1  
Bianco-White



P3  
Tortora-Taupe



P4  
Nero-Black



P5  
Verde Mela-Green  
Apple



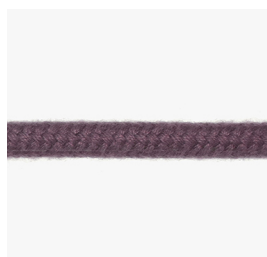
P6  
Arancione-Orange

Acrylic woven backrest and seat

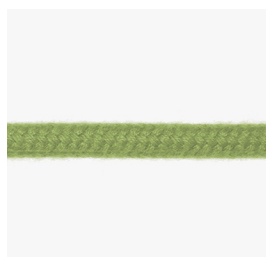
Acrylic cord 3/6mm



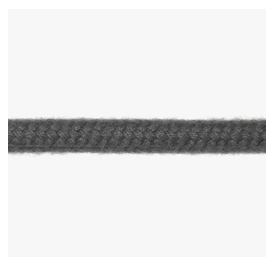
CR9  
Creta Clay



CR8601  
Malva-Mauve



CR7244  
Amande



CR107  
Antracite-Charcoal



CR15  
Bianco-White



CR5040  
Odra-Ocher



CR926  
Tortora-Taupe

Images



Suggested Products



Zeta



Tasia



Shot



Nest



SG1



TQ-  
To b



Jubeae



Shot



Jubeae