



Description

Sally

Designer: Riccardo Giovanetti
Typology: High table

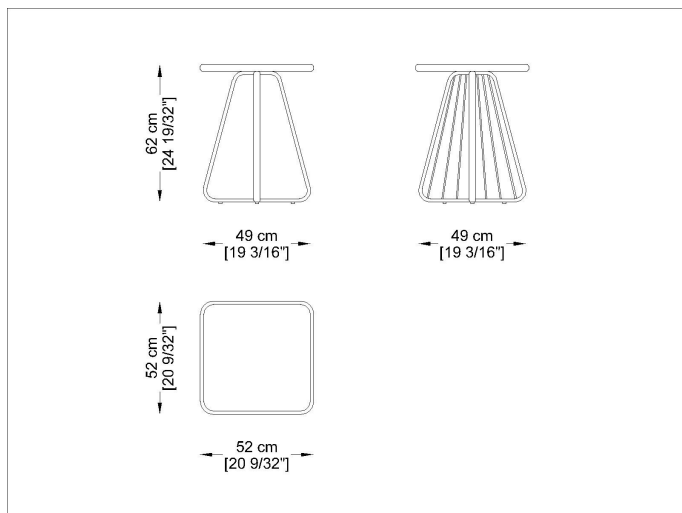
Description:

Sally was born from the idea of creating a collection of outdoor furniture that introduces new constructive and formal solutions: a light and elegant aluminum structure is enriched through the innovative design of the cord that enters and exits the frame, creating a new tensile structure. Sally does not represent a single product, but an articulated family that interprets contemporary living with a strong and recognizable sign.

Technical Information:

Round low table with structure and border in extruded and painted aluminum profile. Legs with and without tensioned acrylic long rope. Top in HPL laminate available in different finishes. Feet in moulded PVC.

Drawings



SYTI0052C04

Materials

Metal structure

Powder coated inox steel



RAL1019
Lino-Linen

RAL 9010
Bianco-White

Table tops

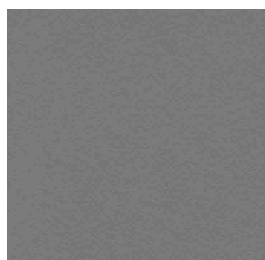
Laminate



L2810
Rock Taiga



L1
Bianco-White



L3
Tortora-Taupe



L4
Nero-Black



L477
Grigio-Grey



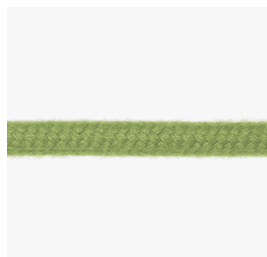
L558
Rock Beige Boiaccia

Acrylic Chord

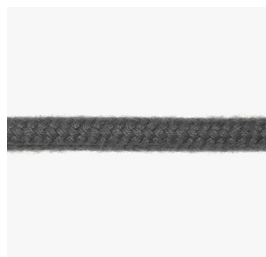
Acrylic cord 6mm



CR8601
Malva-Mauve



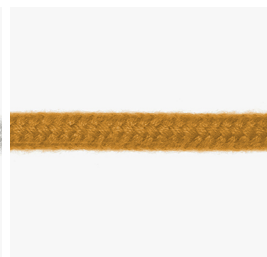
CR7244
Amande



CR107
Antracite-Charcoal



CR15
Bianco-White



CR5040
Ocra-Ocher



CR9
Creta Clay

Images



Suggested Products



Sally
table
Square



Sally
table
Rectangle



Sally
sofa
double
seat



Sally
sofa
four
seats



Sally
Armchair
with
arms



Sally
without
arms long
cords



Sally
with
arms
long
cord