



## Description

Rab

Designer: CDC  
 Typology: Table  
 Year: 2014

Description:

In its simplicity of form and structure, the Rab coffee table offers an excellent solution for bars and clubs that take advantage of outdoor spaces. Dining table or aperitif flanked by stools, you can have it in the round or square version and meet the needs of your public and even private space

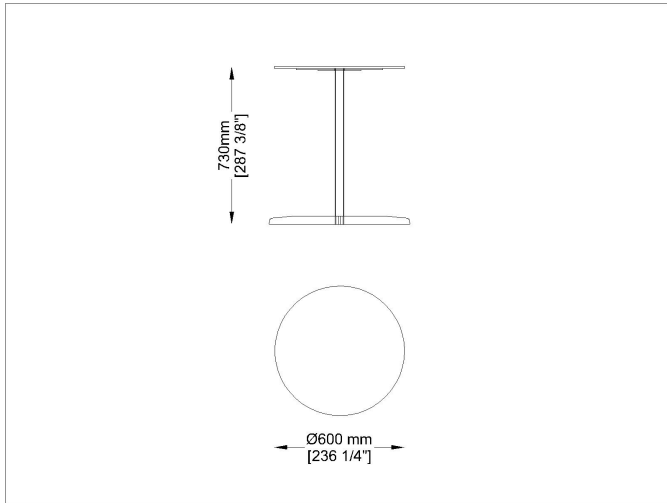
Technical information:

Frame: Steel inox satinized or powder coated

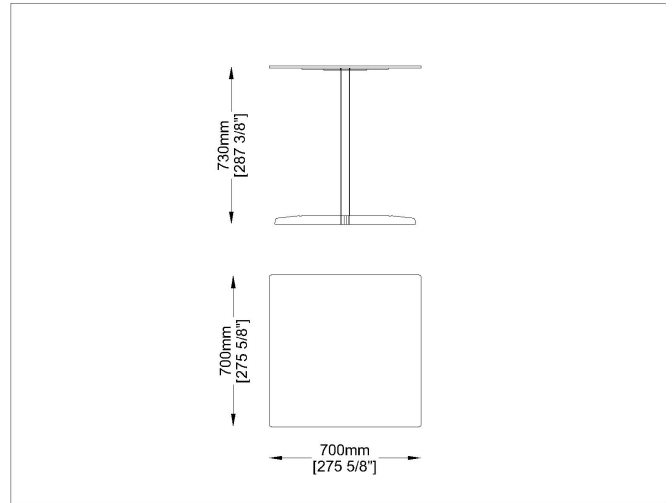
Top: High Gloss thick laminate in different colors

Typology: Table

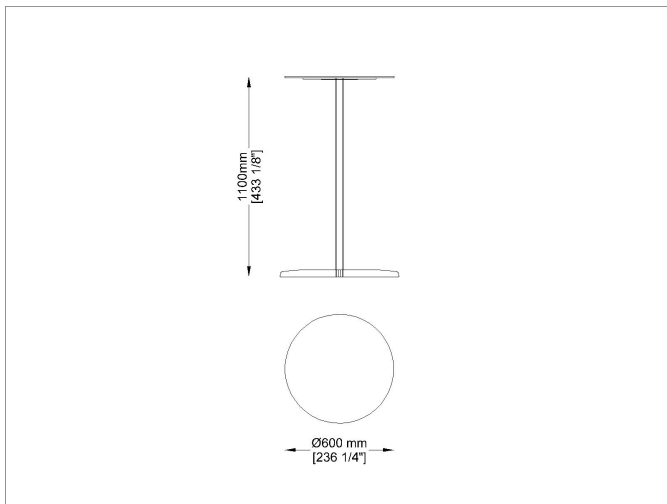
Drawings



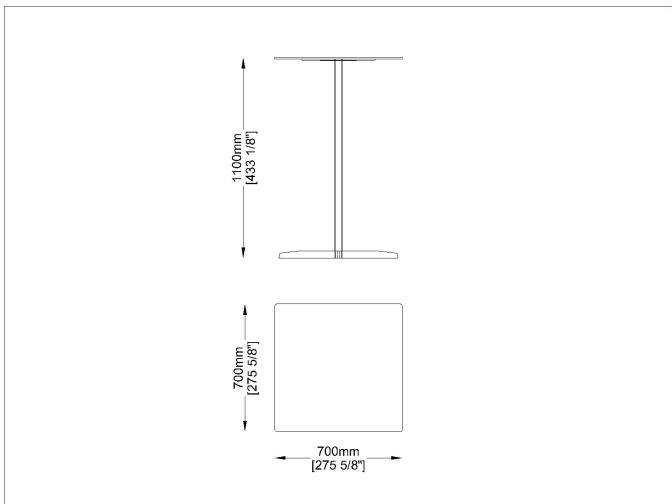
RAB TH73O6



RAB TH73Q7



RAB TH110O6



RAB TH110Q7

## Materials

### Metal Structure

Satinized Inox steel



Satinized/Satinato  
steel satinized

### Metal structure

Powder coated Inox steel



RAL 5024  
Azzuro-Light Blue

RAL 9010  
Bianco-White



RAL PD5843  
Tortora-Taupe



RAL1019  
Lino-Linen

### Laminate

Table top



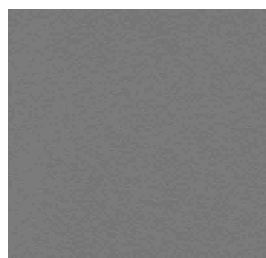
L4  
Nero-Black



L1  
Bianco-White



L2810  
Rock Taiga



L3  
Tortora-Taupe



L437  
Azzuro light blue



## Product Sheet



L477  
Grigio-Grey



L558  
Rock Beige Boiaccia

Suggested Products



S G A